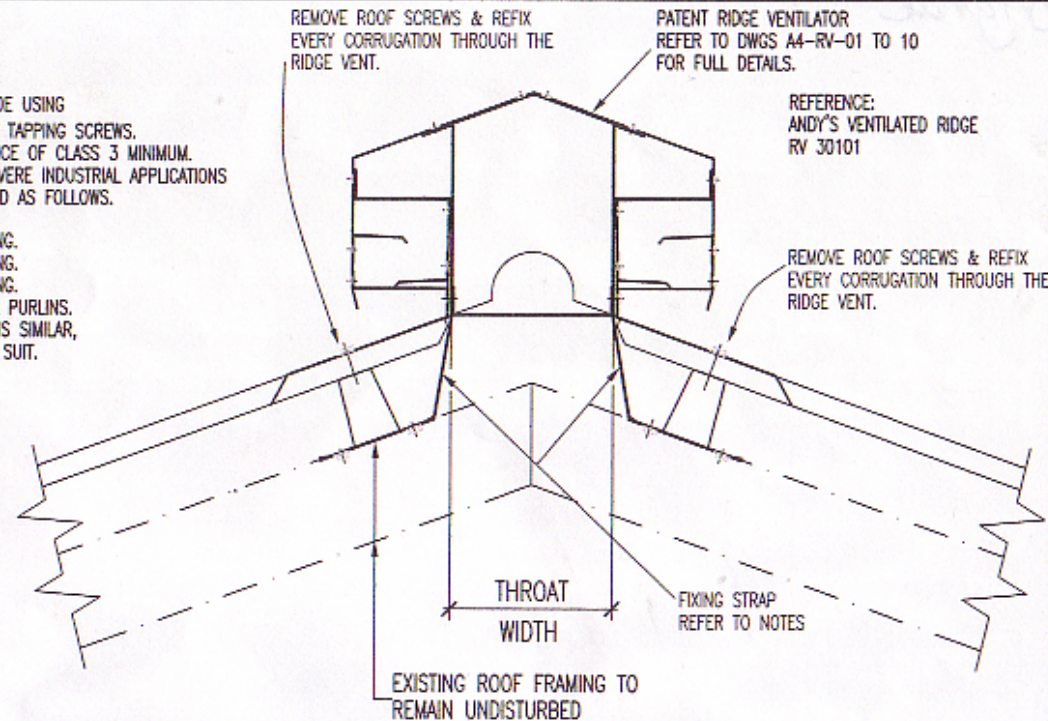


NOTES:

1. ALL CONSTRUCTION IS TO BE IN ACCORDANCE WITH AS 4600 COLD FORMED STEEL STRUCTURES CODE.
2. ALL STEEL TO STEEL CONNECTIONS ARE TO BE MADE USING BUILDDEX OR EQUIVALENT 10 GAUGE X 16 TPI SELF TAPPING SCREWS.
3. SCREW FIXINGS ARE TO HAVE CORROSION RESISTANCE OF CLASS 3 MINIMUM. PROVIDE ADDITIONAL PROTECTION IN MARINE OR SEVERE INDUSTRIAL APPLICATIONS
4. PROVIDE FIXING STRAPS AT EACH END OF VENT AND AS FOLLOWS.
 THROAT WIDTH OF 100-125 MAX NIL REQD.
 THROAT WIDTH OF 126-170 MAX 1000mm SPACING.
 THROAT WIDTH OF 171-235 MAX 750mm SPACING.
 THROAT WIDTH OF 236-300 MAX 500mm SPACING.
5. PLAN SHOWS INSTALLATION ON A ROOF WITH STEEL PURLINS. INSTALLATION ON BUILDINGS WITH TIMBER PURLINS IS SIMILAR, USE TIMBER FIXINGS IN LIEU OF STEEL FIXINGS TO SUIT.



SECTIONAL VIEW RIDGE VENT ON ROOF

EXTENT OF CERTIFICATION

1. THIS ENGINEERING CERTIFICATION APPLIES TO BUILDINGS THAT MEET ALL OF THE FOLLOWING CRITERIA:-
 - (A) BUILDINGS WITH PERMISSIBLE DESIGN WIND SPEEDS BELOW 60 METRES PER SECOND
 - (B) BUILDINGS DESIGNED FOR INTERNAL PRESSURE IN ACCORDANCE WITH AS 1170.
 - (C) RIDGE VENTS WITH PITCH BETWEEN 7.5 AND 35 DEGREES.
 - (D) BUILDINGS WITH ROOF PITCHES BETWEEN 7.5 AND 35 DEGREES.
 - (E) THE EXTENSION OF THE ROOF SHEETING PAST THE FACE OF THE PURLIN TO WHICH THE RIDGE VENT IS ATTACHED IS LESS THAN 150mm FOR DESIGN WIND SPEEDS UP TO 50 M/S AND LESS THAN 100mm FOR DESIGN WIND SPEEDS FROM 50+ TO 60 M/S.
2. REFER OTHER BUILDINGS FOR SEPARATE ENGINEERING CERTIFICATION PRIOR TO INSTALLATION.

Structural Certification by W. Paal
 Refer accompanying letter. RFEQ 2755

A	REVISED NOTE 4	09/03	SCALE: 1:5	MM	DRAWN: T.G.B.	ANDREW LANGTREE
	1	APPROVAL ISSUE	07/03	DATE:		
REV COMMENTS			TITLE		Ph/Fax (07) 40555045 Mob 0419840598	
			PATENT PENDING No 2003204496		DRAWING No.	
			ROOF RIDGE VENTILATOR		030101-01	
			ON DOMESTIC DWELLINGS		REVISIONS	
			AND COMMERCIAL BUILDINGS		1 A	
			DETAILS & NOTES			